



**Therma-Stor** LLC

4201 LIEN RD. • MADISON, WI 53704



**PHOENIX**

# Phoenix R175 - LGR Dehumidifier

## OWNER'S MANUAL

**Installation, Operation & Service Instructions  
- READ AND SAVE THESE INSTRUCTIONS -**

The Phoenix R175 is the first roto-mold LGR (low grain refrigerant) dehumidifier manufactured by Therma-Stor, LLC. The R175 combines Phoenix innovation, technical expertise and proven durability. This unit will remove more water, produce more grain depression and dry structures and contents faster than standard refrigerant dehumidifiers.

In addition to the performance benefits, patented bypass technology and tough compact size, are the multiple ducting options, pleated media filter and energy efficient operation. The R175 is the latest member of the Phoenix line of LGR dehumidifiers; the most effective and versatile drying devices made.

### The Phoenix R175 LGR Dehumidifier

Patented  
**BYPASS**<sup>TM</sup>  
TECHNOLOGY

**Increased Capacity** - The Phoenix R175 removes over 30% more water than other dehumidifiers of equal size.

**Energy Efficiency** - Removes 92 pints at AHAM while drawing only 6.3 amps.

**Patented Bypass Technology**

**230 CFM** - More processed air speeds drying and provides superior static pressure for ducting.

**More Grain Depression** - Drier from an LGR gets your jobs drier quicker.

**Focused Airflow** - Patent focused outlet directs air downward across the wet surface.

**Multiple Ducting Options** - 12" intake, 10" exhaust.

**Plastic Housing** - Rugged roto-molded housing resists dents and scratches.

**Solid State Controls** - Easy to read and operate.

**Protected Condensate Hose** - Located under the lid. Cannot catch or be damaged on obstructions.

**Telescoping Handle** - A heavy-duty retractable handle for ease of transport and reduces space for storage and stacking.

**Recessed 12" Wheels** - Allows greater maneuverability on the job site and efficient storage. Rolls over obstacles with ease.

**Pleated Media Air Filter** - A MERV-8 is standard.

**Stacking/Nesting** - Reduces space for ease of stacking and storage.



Phoenix R175  
Part No. 4029200  
Patent 7,246,503



WISCONSIN

Specifications subject to change without notice. TS-592  
03/19 Rev. A

**1.800.533.7533**

**USEPHOENIX.COM**



**Table of Contents**

Introduction .....1

1. Safety .....2

2. Specifications .....2

3. Operation .....3

    3.1 Transporting .....3

    3.2 Electrical Requirements .....3

    3.3 Condensate Removal .....3

    3.4 Ducting .....3

    3.5 Defrost Cycle .....3

    3.6 Power Button .....3

    3.7 Purge Button .....3

    3.8 Hour Meter .....3

    3.9 Hours Button .....4

    3.10 Defrost Light .....4

    3.11 Bypass Control .....4

4. Maintenance .....4

    4.1 Air Filter .....4

    4.2 Storage and Freeze Protection .....4

5. Service .....4

    5.1 Technical Description .....5

    5.2 Troubleshooting .....5

    5.3 Air Mover .....6

    5.4 Thermistor .....6

    5.5 Condensate Pump .....6

    5.6 Float Safety Switch .....6

6. Options & Accessories .....7

7. Wiring Diagram .....7

8. Service Parts .....8

9. Warranty .....9

**1 Safety**

The Phoenix R175 conforms to unified standard UL 60335-2-40

- Never operate a unit with a damaged power cord. If the power cord is damaged it must be replaced by the manufacturer, its service agent, or similarly qualified person in order to avoid a hazard.
- The unit shall be installed in accordance with national wiring regulations.
- Do not obstruct the air intake and exhaust. Maintain a .3 m (1 ft) clearance around the air intake and exhaust.
- This appliance is not intended for use by persons (including children) with reduced physical, sensory or mental capabilities, or lack of experience and knowledge, unless they have been given supervision or instruction concerning use of the appliance by a person responsible for their safety. Children should be supervised to ensure that they do not play with the appliance.

**2 Specifications**

Part No.	4029200
Power	6.3 amps, 110-120 VAC, Grounded
Water Removal	92 pints/day @ AHAM (80 °F, 60%) 21 gal/day maximum @ saturation
Blower	230 CFM without external ducting 210 CFM @ .15 IWG external static
Refrigerant Charge	1 lb, 8 oz. R410a
Operating Range	33 ° F to 110 ° F
Filter	12" x 12" x 1" Pleated Media MERV-8
Duct Options	Intake – 12" Flex-Duct Supply – 10" Lay-Flat
Warranty	Five years; 1st year 100% of Parts and Labor 2nd-5th year 100% of Parts
of sealed refrigeration system.	
Size deep	33" high x 20" wide x 20"
Weight	105 lbs
Patent	7,246,503



Figure 1: Stacked Phoenix R175

Read the operation and maintenance instructions carefully before using this unit. Proper adherence to these instructions is essential to obtain maximum benefit from your Phoenix R175 dehumidifier.

**! WARNING**

- It is designed to be used **INDOORS ONLY**.
- If used in a wet area, plug it into a **GROUND FAULT INTERRUPTER**.
- **DO NOT** use the Phoenix R175 as a bench or table.
- It must always be used in the upright position.

## 3 Operation

Place dehumidifier inside structure, place condensate hose into a drain, or a very large container, and turn on. To decrease drying times, make sure all windows and doors are closed to the outside and seal off the wet area from any unaffected areas.

### 3.1 Transporting

The Phoenix R175 features a high-impact roto-molded housing which protects the unit airways, and while loading into vehicles. The unit was designed to make it easy to stack two high. The wheels of the top unit 'nest' in the indentations of the bottom unit to provide stability. It is recommended the units are properly secured for transport. The Phoenix R175 must always be upright when transported by vehicle. It may be tipped onto its handle and back for loading and moving by hand.

### 3.2 Electrical Requirements

The Phoenix R175 plugs into a common grounded outlet on a 15 amp circuit. It draws 6.3 amps at 80 °F, 60% RH. If used in a wet area, a ground fault interrupter (GFI) is required. If an extension cord is required, it must have a minimum of 14 gauge conductors if 25 feet long or less and 12 gauge conductors if greater than 25 feet long.

### 3.3 Condensate Removal

The Phoenix R175 is equipped with an internal condensate pump to remove the water that is condensed during dehumidification. This allows the condensate to be pumped 20 feet with the attached hose. If the condensate must be pumped more than 20 feet above the unit, a second pump must be added to relay the condensate. The condensate pump automatically purges for 20 seconds every eight minutes. Use the PURGE button to manually remove condensation.

### 3.4 Ducting

A wire duct collar is supplied to allow 10" lay-flat duct to be attached to the Phoenix R175 outlet. Lay-flat plastic ducting is available; see accessories table page 6. To attach ducting to the wire duct collar, put the plastic duct end through the collar center and roll the duct end outward so that it overlaps the outside of the collar. The duct and collar may then be quickly attached to the Phoenix R175 by snapping the collar over the four exhaust tabs.

### 3.5 Defrost Cycle

If the low side refrigerant temperature drops due to excessive frost formation on the evaporator coil and below the temperature set point, the thermistor activates the solid-state control and defrost light. The compressor is cycled off and on by the thermistor temperature measurement. The air mover will continue to run, causing air to flow through the evaporator coil and melt the ice when the compressor is off. When the air temperature and/or humidity increases, the evaporator temperature will rise and the thermistor will end the defrost cycle at the temperature set point.



Figure 2: Phoenix R175 control board.

### 3.6 POWER Button

Press the POWER button to turn the dehumidifier on or off. When starting the dehumidifier the display will show the accumulated hours. Press the POWER button again to turn the dehumidifier off. The display will also power off.

### 3.7 PURGE Button

During normal operation the pump automatically cycles every four minutes. Press the PURGE button to remove condensate manually from the reservoir. There are several ways to manually remove water from the reservoir:

1. Press the PURGE button once and the pump will run for 20 seconds
2. Press and hold the PURGE button and the pump will run for up to 30 seconds
3. Press the PURGE button while the dehumidifier is powered off and the pump will run for 30 seconds.

Always manually purge the water reservoir before transport or storage. Turn off the power and allow the plugged in dehumidifier to rest 15 minutes before the final purge.

### 3.8 Hour Meter

The digital hour meter displays the amount of time the dehumidifier has been turned on to the tenth of an hour. The hour meter continuously cycles between total machine hours and job hours every 3 seconds. Hours are stored in memory even when the unit is unplugged. The previous totals will be displayed next time the unit is powered on.

### 3.9 HOURS Button

Pressing the HOURS button displays the hour meter when the unit is turned off but plugged into power. To reset job hours, press and hold the HOURS button for 5 seconds when the unit is operating.

### 3.10 DEFROST Light

The DEFROST light turns on when the unit is in defrost cycle and indicates when the compressor is off.

### 3.11

#### Bypass Control

**Below 90°F** - When operating the Phoenix R175 below 90°F, the bypass cover must close the bypass holes, figure 3. This maximizes the amount of air that is dehumidified across the evaporator.

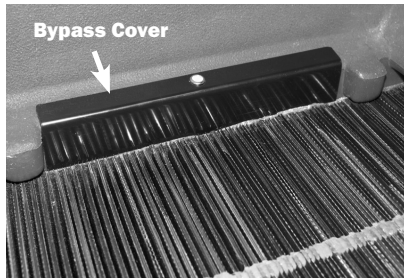


Figure 3

These cooler temperatures are often found during the first 24 hours of a drying job.

**Above 90°F** - When operating the Phoenix R175 above 90°F, reposition the bypass cover to open the bypass holes, figure 4. This improves dehumidifier efficiency by increasing the amount of airflow across the condenser. This also slows airflow across the evaporator giving the hotter air more time to reach dew point, thereby increasing dehumidifier capacity. These higher temperatures are often found after the first 24 hours of a drying job.

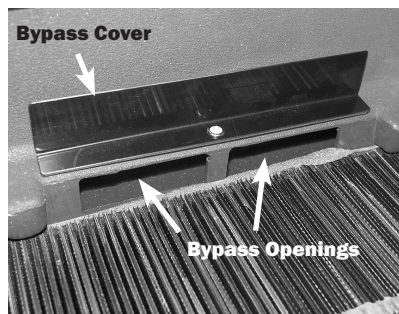


Figure 4



Remove filter, snap bypass cover into position shown, and replace filter.

## 4 Maintenance

### 4.1 Air Filter

The Phoenix R175 is equipped with a pleated media air filter that must be checked regularly. The standard filter is a MERV-8 high efficiency filter. Operating the unit with a dirty filter will reduce the dehumidifier's capacity and efficiency and may cause the compressor to cycle off and on unnecessarily. The filter can generally be vacuumed clean

several times before needing replacement. Replacement filters can be ordered from the manufacturer or purchased locally if available.

## ! IMPORTANT

**IMPORTANT:** DO NOT operate the unit without the filter or with a less effective filter as the heat exchanger and coils inside the unit could become clogged and require disassembly to clean.

### 4.2 Storage and Freeze Protection

There are two issues to consider when the Phoenix R250 is stored between uses and both pertain to water trapped in the unit. The first is biological growth and the second is damage caused by freezing. The effects of the trapped water can be greatly reduced if precautions are taken to remove as much as possible before storage.

1. Use the pump PURGE button to reduce the water level in the reservoir.
2. Stretch the hose flat to drain it completely. Raise one end above your head and spool hose while draining water out the other end.
3. To reduce biological growth flush the unit with a bio-fungicide that is approved for use with copper, aluminum and polyethylene. To flush:
  - a. Run the hose to a drain.
  - b. Plug in the unit but do not turn it on.
  - c. Remove the air filter. Slowly pour a quart of the antimicrobial through the heat exchanger
  - d. Hold in the pump purge switch to reduce the water level in the reservoir.
  - e. Flush with water.
4. If the unit will be exposed to freezing temperatures, after purging, pull back the filter and pour 1 cup (8oz) of a propylene glycol based anti-freeze through the heat exchanger. It will flow down into the pump reservoir. Do NOT purge the solution out of the unit.
5. Dirty filters should be changed prior to long term storage to prevent biological growth on the filter.

## 5 Service

### ! WARNING

**WARNING:** Servicing the Phoenix R175 with its high pressure refrigerant system and high voltage circuitry presents a health hazard which could result in death, serious bodily injury, and/or property damage. Only qualified service people should service this unit.

### ! CAUTION

**CAUTION:** Do not operate unit without the front housing in place.

## 5.1 Technical Description

The Phoenix R175 uses a refrigeration system similar to an air conditioner's to remove heat and moisture from incoming air and to add heat to the air that is discharged.

Hot, high pressure refrigerant gas is routed from the compressor to the condenser coil. The refrigerant is cooled and condensed by giving up its heat to the air that is about to be discharged from the unit. The refrigerant liquid then passes through a filter/drier and capillary tubing which cause the refrigerant pressure and temperature to drop. It next enters the evaporator coil where it absorbs heat from the incoming air and evaporates.

The evaporator operates in a flooded condition, which means that all the evaporator tubes contain liquid refrigerant during normal operation. A flooded evaporator should maintain constant pressure and temperature across the entire coil, from inlet to outlet.

The mixture of gas and liquid refrigerant enter the accumulator after leaving the evaporator coil. The accumulator prevents any liquid refrigerant from reaching the compressor. The compressor evacuates the cool refrigerant gas from the accumulator and compresses it to a high pressure and temperature to repeat the process.

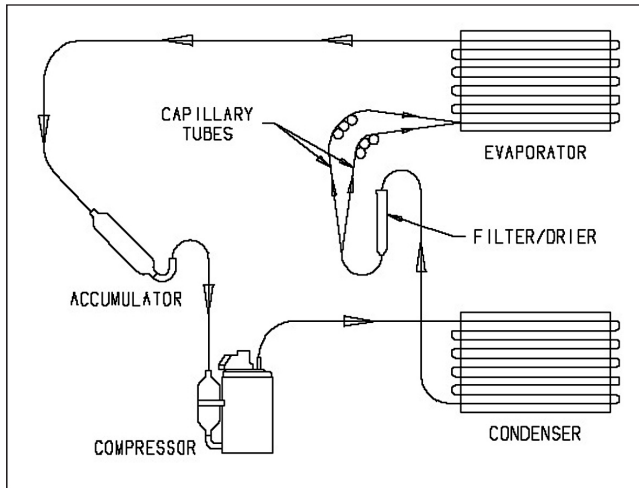


Figure 5: Refrigeration system

## 5.2 Troubleshooting

No dehumidification, neither hour meter display nor compressor run and POWER button does not turn ON.

1. Unit unplugged or no power to outlet
2. Defective control board
3. Loose connection in internal wiring

No dehumidification, neither hour meter display nor compressor run with POWER button ON.

1. Defective control board
2. Loose connection in internal wiring

Some dehumidification, air mover runs continuously but compressor only runs sporadically.

1. Unit is in defrost cycle, DEFROST light on
2. Defrost thermistor defective or loose
3. Loose connection in compressor circuit
4. Defective compressor overload
5. Defective compressor
6. Defective relay
7. Upper housing is not sealed to lower housing

No dehumidification, air mover runs but compressor does not.

1. Bad connection in compressor circuit
2. Safety float switch closed, check pump reservoir
3. Defective compressor capacitor
4. Defective compressor overload
5. Defective compressor
6. Defective control board

Air mover does not run. Compressor runs briefly but cycles on and off.

1. Loose connection in blower circuit
2. Obstruction prevents impeller rotation
3. Defective air mover

Unit removes some water but not as much as expected.

1. Air temperature and/or humidity have dropped
2. Humidity meter and/or thermometer used are out of calibration
3. Unit has entered defrost cycle
4. Air filter dirty
5. Defective defrost thermistor
6. Low refrigerant charge
7. Air leak such as loose cover
8. Defective compressor
9. Restrictive exhaust or inlet ducting

Unit runs but does not pump water.

1. Hose kinked or plugged
2. Pump motor defective
3. Pump check valve plugged
4. Bad connection in pump circuit
5. Hose disconnected internally
6. Defective control board (pump phase)

Unit pumps water automatically but not when PURGE button is pushed.

1. Bad connection in PURGE button circuit
2. Defective control board

Evaporator coil frosted continuously, low dehumidifying capacity.

1. Defrost thermistor loose or defective
2. Low refrigerant charge
3. Dirty air filter or restricted air flow
4. Upper housing is not sealed to lower housing

Compressor runs with POWER button OFF.

1. Defective relay
2. Defective control board
3. Upper housing not sealed to tower

### 5.3 Air Mover

The motorized impeller has a PSC motor and internal thermal overload protection. If defective, the complete assembly must be replaced.

1. Unplug power cord
2. Remove the four screws attaching the bottom plate to the lower housing
3. Disconnect the impeller leads
4. Remove the four screws holding the impeller to the bottom plate
5. Reassemble the new impeller using the above procedure in reverse

### 5.4 Thermistor

The defrost thermistor is attached to the refrigerant suction line between the accumulator and the evaporator.

To replace thermistor:

1. Unplug the dehumidifier
2. Remove the front housing
3. Cut cable ties and remove insulation and aluminum tape.
4. Remove control panel
5. Unthread thermistor from control housing grommet
6. Detach thermistor from control board jumper
7. Reassemble thermistor and dehumidifier using the above procedure in reverse



Figure 6: Thermistor attached to the refrigerant line.

### 5.5 Condensate Pump

The internal condensate pump removes water that collects in the reservoir.

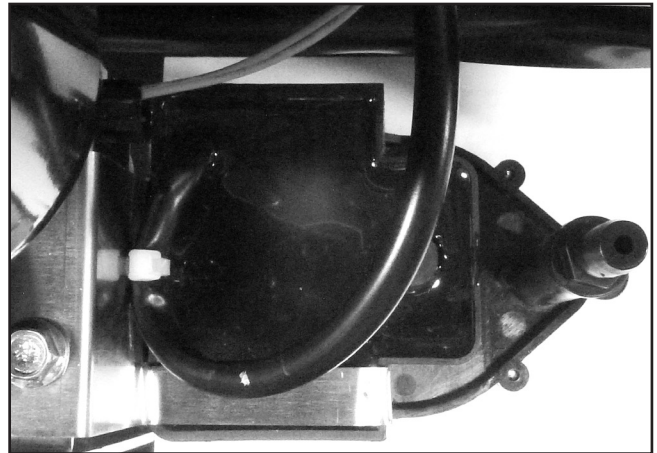


Figure 7: Picture of pump and float switch brackets screw.

To replace the condensate pump:

1. Unplug the unit
2. Remove the front housing
3. Unplug the pump wires from the wire harness
4. Remove the condensate hose and the one screw attaching the pump bracket to the compressor support
5. Replace the pump, hose, wiring, bolts, and housing in the reverse order

### 5.6 Float Safety Switch

The float safety switch activates when the water rises too high in the condensate reservoir. The float safety switch turns off the compressor until the water level lowers and disengages the switch.



Figure 8: Picture of the float safety switch.

To replace the float safety switch

1. Unplug the dehumidifier
2. Remove the front housing
3. Unplug the float safety switch wires from the wire harness
4. Remove the one screw attaching the pump and float switch bracket to the compressor support
5. Remove the pump from the reservoir and slide out the float switch from under the compressor support
6. Replace the float, pump, wiring, bolts and housing in the reverse order

## 6 Options & Accessories

4025568	Air Filter, Pleated 12" x 12" x 1" MERV-11
4024750	Intake Flex Duct 12" x 25" Metallize Polyester
4024935	Lay-Flat Duct 10" Round x 250' Roll

To order, contact Therma-Stor LLC at 1-800-533-7533.

## 7 Wiring Diagram

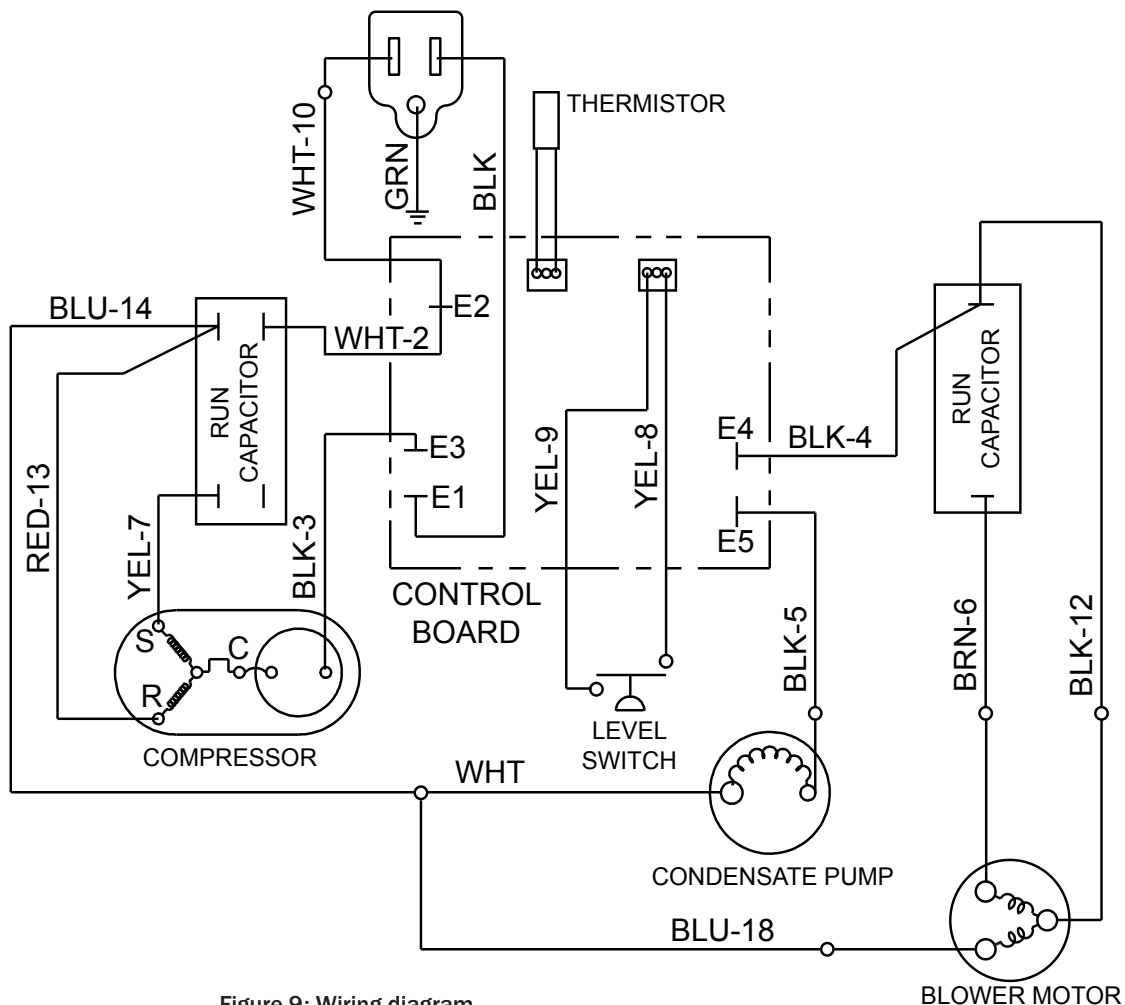


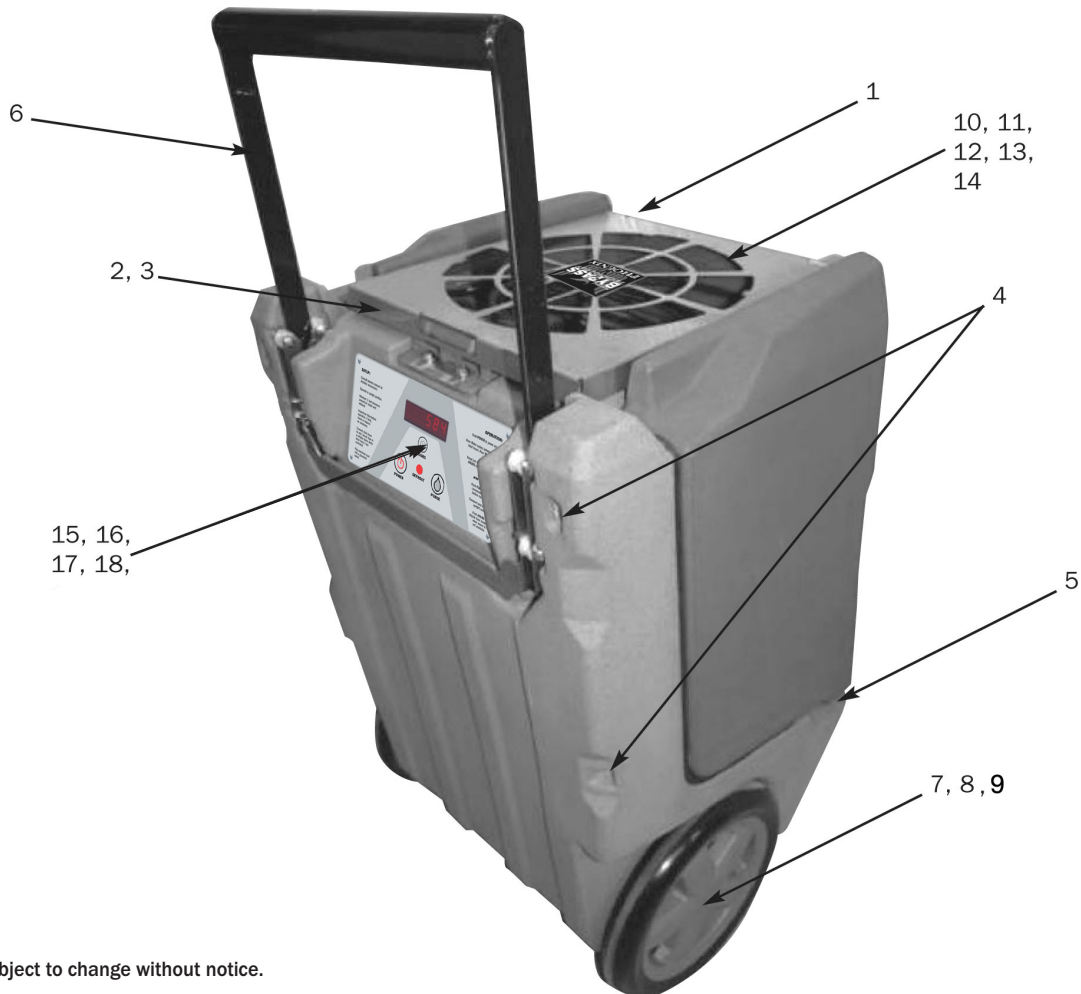
Figure 9: Wiring diagram

## 8 Service Parts

Item	Description	Qty	Part No.
1	Top Cover	1	4026977
2	Top Cover Hinge	2	4026978
3	Top Cover Catch	1	4026979
4	Hex Bolts, 1/4" - 20 x 4"	4	1154019
5	Hex Bolts, 1/4" - 20 x 1.75"	2	1154014
6	Handle Assembly	1	4027381
7	Wheel, 12"	2	4026304
8	Cotter Pin	2	1284404
9	Hub Cap, Wheel	1	4027137
10	Filter, 12" x 12" x 1"	1	4026315
11	Hose (1/4" ID x 33' long)	1	4024916
12	Coupling Body, 1/4" Tube	1	4026306
13	Coupling Insert, 1/4" Tube	1	4026986
14	Cord	1	4032297
15	Control Board	1	4026763
16	Capacitor, Compressor, 45 µF	1	4033032-05
17	Capacitor, Impeller, 7.5 µF	1	4033031-04
18	Thermistor	1	4031279

Items listed are not shown

Description	Qty	Part No.
Compressor	1	4029168
Evaporator Coil	1	4028234
Condenser Coil	1	4028235
Accumulator	1	4028297
Condensate Pump	1	4034832
Float Safety Switch	1	4034374
Impeller, Air Mover	1	4026360
Exhaust Grill	1	4026308
Wire Duct Collar	1	4026309
Impeller Plate Bolt	4	1154006



Specifications subject to change without notice.

1.800.533.7533

USEPHOENIX.COM







**Therma-Stor** LLC

4201 LIEN RD. • MADISON, WI 53704



**PHOENIX**

## **Phoenix R175 - LGR Dehumidifier**

### **LIMITED WARRANTY**

**Warrantor:**

Therma-Stor LLC

4201 Lien Rd.

Madison, WI 53704

Telephone: 1-800-533-7533

**Who Is Covered:** This warranty extends only to the original end-user of the Phoenix R175 dehumidifier and may not be assigned or transferred.

**Year One:** Therma-Stor LLC warrants that, for one (1) year the Phoenix R175 dehumidifier will operate free from any defects in materials and workmanship, or Therma-Stor LLC will, at its option, repair or replace the defective part(s), free of any charge.

**Year(s) Two Through Five:** Therma-Stor LLC further warrants that for a period of five (5) years, the condenser, evaporator, and compressor of the Phoenix R175 dehumidifier will operate free of any defects in material or workmanship, or Therma-Stor LLC, at its option, will repair or replace the defective part(s), provided that all labor and transportation charges for the part(s) shall be borne by the end-user.

**Year(s) One Through Seven:** Materials and workmanship of the housing are covered.

**End-User Responsibilities:** Warranty service must be performed by a Servicer authorized by Therma-Stor LLC. If the end-user is unable to locate or obtain warranty service from an authorized Servicer, he should call Therma-Stor LLC at the above number and ask for the Therma-Stor Service Department, which will then arrange for covered warranty service. Warranty service will be performed during normal working hours.

The end-user must present proof of purchase (lease) upon request, by use of the warranty card or other reasonable and reliable means. The end-user is responsible for normal care. This warranty does not cover any defect, malfunction, etc. resulting from misuse, abuse, lack of normal care, corrosion, freezing, tampering, modification, unauthorized or improper repair or installation, accident, acts of nature or any other cause beyond Therma-Stor LLC's reasonable control.

**Limitation and Exclusions:** If any Phoenix R175 Dehumidifier part is repaired or replaced, the new part shall be warranted for only the remainder of the original warranty period applicable thereto (but all warranty periods will be extended by the period of time, if any, that the Phoenix R175 Dehumidifier is out of service while awaiting covered warranty service).

**UPON THE EXPIRATION OF THE WRITTEN WARRANTY APPLICABLE TO THE PHOENIX R175 DEHUMIDIFIER OR ANY PART THEREOF, ALL OTHER WARRANTIES IMPLIED BY LAW, INCLUDING MERCHANTABILITY AND FITNESS FOR A PARTICULAR PURPOSE, SHALL ALSO EXPIRE. ALL WARRANTIES MADE BY THERMA-STOR LLC ARE SET FORTH HEREIN, AND NO CLAIM MAY BE MADE AGAINST THERMA-STOR LLC BASED ON ANY ORAL WARRANTY. IN NO EVENT SHALL THERMA-STOR LLC, IN CONNECTION WITH THE SALE, INSTALLATION, USE, REPAIR OR REPLACEMENT OF ANY PHOENIX R175 DEHUMIDIFIER OR PART THEREOF BE LIABLE UNDER ANY LEGAL THEORY FOR ANY SPECIAL, INDIRECT OR CONSEQUENTIAL DAMAGES INCLUDING WITHOUT LIMITATION WATER DAMAGE (THE END-USER SHOULD TAKE PRECAUTIONS AGAINST SAME), LOST PROFITS, DELAY, OR LOSS OF USE OR DAMAGE TO ANY REAL OR PERSONAL PROPERTY.**

Some states do not allow limitations on how long an implied warranty lasts, and some do not allow the exclusion or limitation of incidental or consequential damages, so one or both of these limitations may not apply to you.

**Legal Rights:** This warranty gives you specific legal rights, and you may also have other rights which vary from state to state.