

**TITAN™**

*Advanced Performance. Total Reliability.*

# Airless Accessories



# TITAN™

*Advanced Performance. Total Reliability.*

## Airless Accessories

***Complete Source for Genuine Parts and Accessories***

### CONTENTS

Aluminum Airless Gun . . . . .	4-5
Stainless Steel Guns . . . . .	6-7
Airless Tips . . . . .	8-9
Tip Technology . . . . .	10-11
Guards & Filters . . . . .	12-13
Reach Tools . . . . .	14-17
Rollers . . . . .	18-19
Hoses . . . . .	20-21
Liquids . . . . .	22-23
Manifolds . . . . .	24-25
DT Steamer / PaintEater® . . . . .	26
Modular Manifolds . . . . .	27





**Advanced Performance. Total Reliability.**

## Why Titan Genuine Parts and Accessories?

### ADVANCED PERFORMANCE

- TITAN airless accessories are designed BY professionals FOR professionals
- Our accessories and equipment are built for hard work and long life
- The latest engineering technology ensures ease of use and dependability
- Our accessories and equipment meet and exceed the expectations of professionals who want to do the job right the FIRST time.

### TOTAL RELIABILITY

- Proven technology - you finish every project quickly and profitably
- Superior design and construction maximizes the service life of your accessories and equipment
- Complete diversity – we have the right equipment for every project and sprayer application
- Half a century of getting the job done right – TITAN is the name you trust

### UNSURPASSED SERVICE

- Dependable, reliable network of authorized sales and service distributors
- The best customer service in the industry to help you select the right equipment and accessories
- Professional application and service representatives ready to assist you with recommendations and technical support

**FOR THE BEST, MOST PROFESSIONAL RESULTS –  
USE ONLY GENUINE TITAN PARTS AND ACCESSORIES**

### Residential



### Commercial



### Fine Finish



### Roofing



# TITAN™ AIRLESS GUNS

## TITAN is an industry leader in sprayer gun technology

Countless hours of research and development have been devoted to manufacturing a full line of the best quality TITAN airless guns for every application imaginable - from the thinnest lacquers to the heaviest textures and roof coatings.

- Designed to minimize hand fatigue
- Solid, safe construction
- Precision trigger for accurate delivery

### Interior



### Exterior

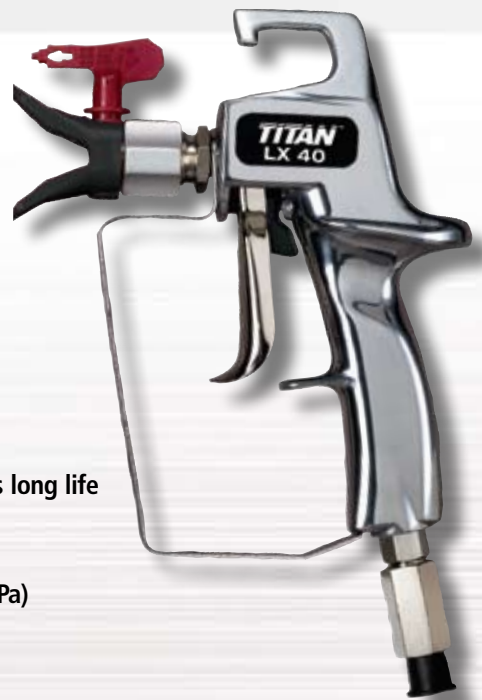


## LX-40 Airless Gun

Part No. 550-540 (2 Finger Trigger)

### Features & Benefits

- All-metal construction
- In-handle filter
- Tungsten carbide ball valve ensures long life
- Includes 517 SC-6™ reversible tip
- Pressure rated at 3000 PSI (20.7 MPa)



## G-10XL Airless Gun

Product No. 0296235 (4 Finger Trigger)

Product No. 0296236 (2 Finger Trigger)

4 Finger Gun Hose Tip Kit 0296326

2 Finger Gun Hose Tip Kit 0296327

### Features & Benefits

- Available in 4 finger trigger or 2 finger trigger.
- All metal construction.
- Tungsten carbide ball valve, seat & stainless steel swivel insures long life & durability.
- In-handle filter reduces clogging & increases tip life.
- Swivel reduces hose kinks & assures effortless control.
- Includes 517 SC-6 reversible tip.
- Pressure rated at 3600 PSI (25 MPa).
- Lightweight, only 20 ounces (0.63 kg).



2 Finger Gun

4 Finger Gun

## LX-80<sup>II</sup> Airless Gun

Product No. 580-100A (4 Finger Trigger)

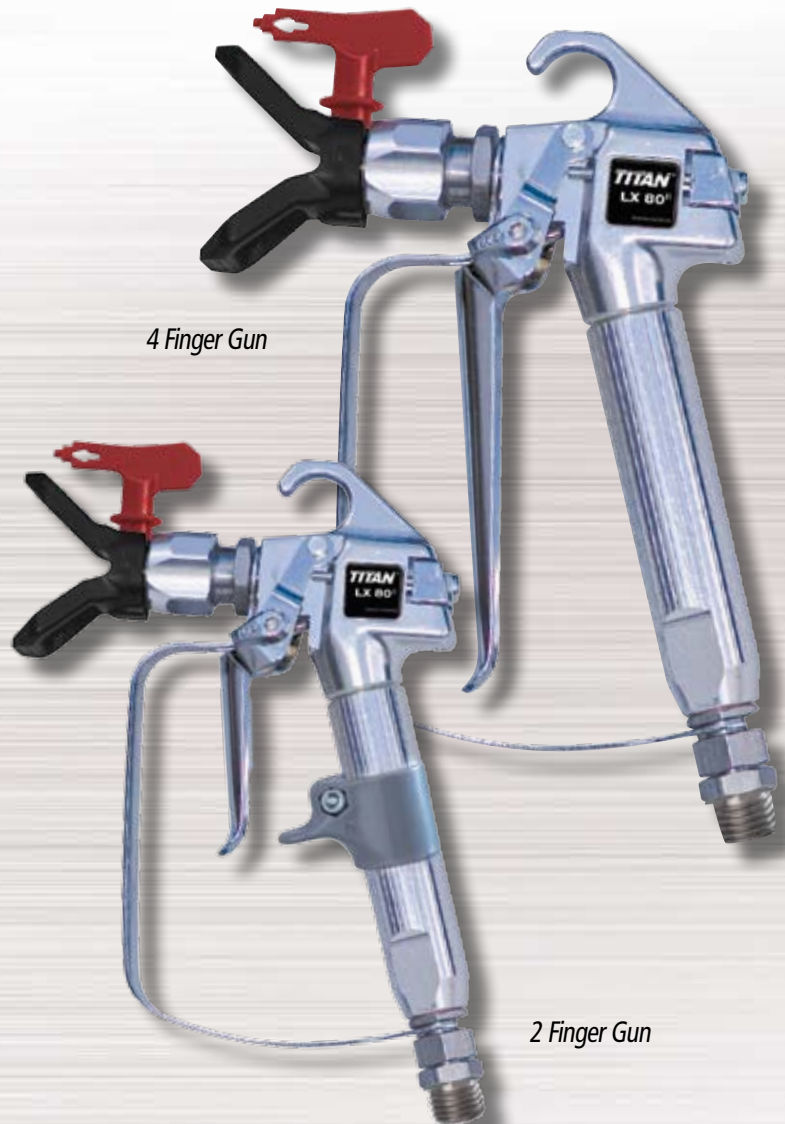
Product No. 581-085 (2 Finger Trigger)

4 Finger Gun Hose Tip Kit 580-050

2 Finger Gun Hose Tip Kit 581-150

### Features & Benefits

- Available on 4 finger trigger or 2 finger trigger.
- All metal construction.
- Tungsten carbide ball valve, seat & stainless steel swivel insures long life & durability.
- In-handle filter reduces clogging & increases tip life.
- Swivel reduces hose kinks & assures effortless control.
- Includes 517 SC-6 reversible tip.
- Pressure rated at 3600 PSI (25 MPa).
- Lightweight, only 20 ounces (0.63 kg).



## LX-80 Platinum Series

Gun 584-100

Gun Hose Tip Kit 584-050

### Features & Benefits

- Unique two-piece seal assembly design allows removal of just the ball for easy maintenance.
- Ultra-light trigger pull & form fitting handle reduces hand fatigue.
- Reversible tungsten carbide seat offers twice the life of standard diffusers.
- All metal construction.
- Swivel reduces hose kinks.
- In-handle filter helps reduce tip clogs & increase tip life.
- Pressure rated at 3600 PSI (25 MPa).
- Includes 517 SC-6 reversible tip.



# TITAN™ AIRLESS GUNS STAINLESS STEEL

## TITAN is an industry leader in sprayer gun technology

For centuries it has been the ultimate expression of metallic strength. Stainless steel is the strongest, most powerful, most durable and reliable alloy ever created. It was used to forge swords, armor and cannons and, for decades, has forged the best spray guns in the world – guns that can handle higher pressures and specialized coatings.

### Industrial



### Commercial



## S-3 Airless Gun

Gun 550-250

Gun Hose Tip Kit 550-460



### Features & Benefits

- Stainless steel fluid passages.
- In-handle filter
- Tungsten carbide ball valve & seat ensures long life & durability.
- Easy 4 finger trigger pull.
- 1/4" Swivel reduces hose kinks.
- Includes 517 SC-6 reversible tip.
- Pressure rated at 3900 PSI (27 MPa).

## S-5 Airless Gun

Gun 550-100

Gun Hose Tip Kit 550-110



### Features & Benefits

- All metal construction.
- Stainless steel fluid passages.
- Tungsten carbide ball valve & seat ensures long life & durability.
- Pressure rated at 5000 PSI (34.5 MPa).
- Front feed, filterless design for heavy coatings.
- Easy 2 finger trigger pull.
- Includes 517 SC-6 reversible tip.

## S-7 Airless Gun

1/4" Swivel Product No. 550-260

3/8" Swivel Product No. 550-270

- Stainless steel fluid passages.
- In-handle filter
- Available in two swivel sizes for less restriction.
- Tungsten carbide ball valve & seat insures long life & durability.
- Easy 4 finger trigger pull.
- Swivel reduces hose kinks.
- Includes 517 heavy-duty reversible tip.
- Pressure rated at 7700 PSI (53 MPa).



# TITAN™ AIRLESS TIPS

Contractors know the quality of a spray tip can make or break a project

That is why smart contractors don't take a chance on cheap tips that wear out quickly, waste coatings and deliver an uneven finish. TITAN airless tips are renowned in the industry for their strength, durability and long life.

- Titan offers a full spectrum of sprayer tips for a full range of applications
- Highest quality tungsten carbide yields the longest tip life
- Precision machined for a perfect fan pattern
- Solvent-proof seal holds up against harshest coatings

There is no substitute for a TITAN tip.

## Commercial



## SC-6 Reversible Tip

### Features & Benefits

"Longest Lasting Tip in the Industry"

- Highest quality tungsten carbide assures longest life, durability, and fewer passes for better coverage.
- Exclusive flow indicator indicates that tip is in spray or clean position.
- Ergonomic design assures comfort when rotating to spray or reverse position for cleaning.



Product no. 661-XXX

Available in the following orifice sizes: (numerous fan widths available)

007	015	023	031
009	017	025	033
011	019	027	035
013	021	029	037

## WideSpray™ Tip

### Features & Benefits

- Perfect for high production applications.
- Increase production up to 100%.
- Widespray will save you time and money.



Product no. 661-XXXX

Available in the following sizes:

1219	1223	1227	1231	1235
1221	1225	1229	1233	1237

## SYNERGY™ Tip

### Features & Benefits

- Particle size up to 27% smaller than a standard tip.
- Interchangeable with industry standard safety guards.
- Ideal for lacquers, stains, and clear coats.
- Increased transfer efficiency.



Product no. 671-XXX

Available in the following sizes:

208	210	212	214
308	310	312	314
408	410	412	414
	510	512	
		612	



## High Pressure Tip

### Features & Benefits

- Heavy duty reversible tip.
- Pressure rated to 7700 psi.

Available in the following orifice sizes:

117	217	517	525	533
119	219	519	527	535
	221	521	529	539
123	223	523	531	



Product no. 721-XXX

## Flat Tip

### Features & Benefits

- Precision machined from the highest quality Tungsten Carbide.

Available in the following orifice sizes: (numerous fan widths available)

007	015	023	031	052
009	017	025	033	062
011	019	027	035	072
013	021	029	037	



Product no. 002-XXX

## Adjustable Self Cleaning Tip

### Features & Benefits

- Fully adjustable fan widths from 2" to 24" reduce overspray.
- Perfect when changing from spraying walls to cutting in for trim work or around windows.
- Self-cleaning feature eliminates costly downtime.

Product Number	Orifice Range	Coating Range
341-015	.005-.018	Lacquer & Stain
341-020	.007-.019	Lacquer & Stain
341-024	.007-.026	Lacquer & Enamals
341-028	.011-.026	Lacquer & Enamals
341-041	.017-.035	High Builds
341-049	.021-.054	Very Heavy



Product no. 341-XXX

## Fine Finish Metering Orifice

- Designed to produce a more complete atomization of the spray pattern.
- Increases your transfer efficiency by allowing you to spray at lower pressures.
- When ordering, always use a metering orifice that is at least .004 larger than the spray tip being used. Example: a .019 tip should be used with a .023 Metering Orifice.

Product Number	Orifice in Inches	Max. Tip Size Recommended
512-011	.011	.007
512-013	.013	.009
512-015	.015	.011
512-018	.018	.013
512-021	.021	.017
512-023	.023	.019
512-026	.026	.021
512-031	.031	.026
512-035	.035	.031
512-039	.039	.035
512-043	.043	.039
512-049	.049	.043
512-059	.059	.045

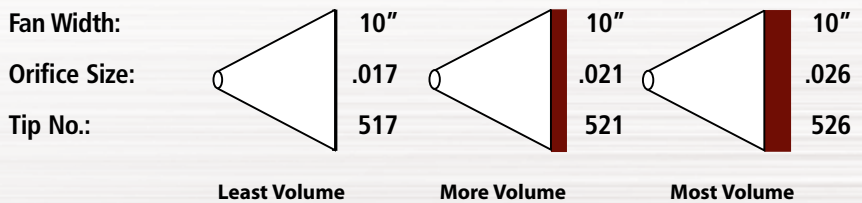


Product no. 512-XXX

### Understanding Airless Tips

Airless spray tips are a key component to the successful operation of an airless spray system. They define the spray pattern, control the flow of the coating being sprayed & ultimately tell the pump how hard it must work. A proper understanding of airless tips is critical to the success of any airless application.

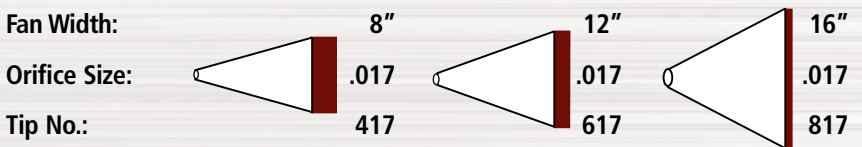
**Examples:** The larger the orifice with the same fan width, the greater the volume of paint applied to the same area.



### Airless Spray Tip Characteristics

It is important to remember that the orifice size, in conjunction with the fan-width size, determines the spray characteristics of the tip.

Conversely, the larger the fan width with the same orifice means the same amount of material is being applied over a greater area. The result is less volume of paint per square inch.



### Tip Wear

When beginning a project, choosing the right tip size & fan width will determine how profitable you will be through both coating consumption & production time. If the tip size being used is wrong — by either choice or through wear — mil thicknesses will be too heavy & the finish will be unprofessional.

The spray pattern chart demonstrates what happens as a tip wears. As wear occurs, the pattern size decreases & the orifice size increases. You will find that you have to make more passes to cover the same area. There is no standard rate of tip wear due to the variation of the abrasiveness of all coatings. Replace your tips after 100 gallons (378 liters); it's one of the most profitable things you can do.



Spray Pattern Width			
New	Worn to	Worn to	Worn to
517	419	321	223
Flow Rate			
.30 gpm (1.1 lpm)	.40 gpm (1.5 lpm)	.47 gpm (1.7 lpm)	.57 gpm (2.1 lpm)
Flow Rate Increase			
	33%	57%	90%

# Understanding Tip Product Numbers

**661-519**

First 3 digits specify either SC-6 or Flat style:  
 661 = SC-6 Style  
 002 = Flat Style

Double the first digit after the hyphen to determine the fan width when tip is 12" from the surface being sprayed

Last two digits specify the orifice size

EXAMPLE: Product Number 661-519 is:

- SC-6 Reversible Tip
- 10"-12" Fan Pattern
- .019 orifice

When ordering airless spray tips from this chart, precede the tip number with "661" for SC-6 & "002" for Flat.

Orifice Size In Inches	Fan Width In Inches	GPM Flow Rate	Flat & SC-6 Tip Number*	Orifice Size In Inches	Fan Width In Inches	GPM Flow Rate	Flat & SC-6 Tip Number*	Orifice Size In Inches	Fan Width In Inches	GPM Flow Rate	Flat & SC-6 Tip Number*
.007 (.018 cm)	2"-4"	.05 (.2 lpm)	107	.019 (.048 cm)	4"-6"	.40 (1.5 lpm)	219	.031 (.078 cm)	6"-8"	1.1 (4.1 lpm)	331
	4"-6"		207		6"-8"		431				
	6"-8"		307		8"-10"		531				
	8"-10"		407		10"-12"		631				
.009 (.023 cm)	2"-4"	.08 (.3 lpm)	109		10"-12"		519		12"-14"		631
	4"-6"		209		12"-14"		619		14"-16"		731
	6"-8"		309		14"-16"		719		16"-18"		831
	8"-10"		409		16"-18"		819		18"-20"		931
.011 (.028 cm)	2"-4"	.12 (.5 lpm)	111	.021 (.053 cm)	4"-6"	.47 (1.7 lpm)	221	.033 (.084 cm)	10"-12"	1.2 (4.5 lpm)	533
	4"-6"		211		6"-8"		321		12"-14"		633
	6"-8"		311		8"-10"		421		14"-16"		735
	8"-10"		411		10"-12"		521		16"-18"		835
.013 (.032 cm)	2"-4"	.18 (.7 lpm)	113		12"-14"		621		16"-18"		835
	4"-6"		213		14"-16"		721		18"-20"		921
	6"-8"		313		16"-18"		821		20"-22"		1021
	8"-10"		413		18"-20"		921				
.015 (.038 cm)	2"-4"	.23 (.9 lpm)	115	.023 (.058 cm)	4"-6"	.57 (2.1 lpm)	223	.039 (.099 cm)	8"-10"	1.65 (6.2 lpm)	439
	4"-6"		215		6"-8"		323		10"-12"		539
	6"-8"		315		8"-10"		423		12"-14"		639
	8"-10"		415		10"-12"		523		16"-18"		839
.017 (.043 cm)	2"-4"	.30 (1.1 lpm)	117		12"-14"		623		22"-24"		1143
	4"-6"		217		14"-16"		723				
	6"-8"		317		16"-18"		823				
	8"-10"		417		18"-20"		923				
	10"-12"		517	.025 (.064 cm)	4"-6"	.66 (2.5 lpm)	225		10"-12"	3.0 (11.3 lpm)	552
	12"-14"		617		6"-8"		325		12"-14"		652
	14"-16"		717		8"-10"		425		16"-18"		852
	16"-18"		817		10"-12"		525		20"-24"		1152
	18"-20"		917		12"-14"		625		10"-12"	4.25 (16 lpm)	562
					14"-16"		725		12"-14"		625
					16"-18"		825		16"-18"		825
					18"-20"		925		18"-20"		925
				.027 (.069 cm)	6"-8"	.77 (2.9 lpm)	327		10"-12"	5.75 (22 lpm)	572
					8"-10"		427		10"-12"		572
					10"-12"		527		12"-14"		627
					12"-14"		627		14"-16"		727
					14"-16"		727				
					16"-18"		827				
					18"-20"		927				
				.029 (.074 cm)	10"-12"	.88 (3.3 lpm)	529				
					12"-14"		629				

The following sizes are available in Flat Tip Only:

.052 (.132 cm)	10"-12"	3.0 (11.3 lpm)	552
.062 (.157 cm)	22"-24"	4.25 (16 lpm)	562
.072 (.182 cm)	10"-12"	5.75 (22 lpm)	572

Spray width measured with gun tip 12 inches (30 cm) from work surface. Other sizes available, call 800-526-5362 for more information.

\*Sizes Available as a flat tip only are bold & italicized.

# TITAN™

## GUARDS & FILTERS

Nothing destroys a piston or a gun tip faster than debris in the coating. That's why you need the best paint filters available. TITAN gun filters and manifold filters are designed for long life and maximum protection.

- Made from stainless steel for strength and service
- Wide variety of mesh sizes from 10 to 100
- Engineered for durability and long life

### Residential



### Manifold Filter



## Seals

- Solvent resistant white seal...651-020
- Solvent resistant white seal, 6 pack...661-021
- Metal retainer...651-040
- Solvent resistant seal & retainer kit, 5 pieces...661-020
- Solvent resistant seal & retainer kit, 12 pieces...661-060
- Latex black seal...651-042



## SC-6 Guard

### Features & Benefits

- Design allows guard to be installed without tools.
- Seal cavity on safety guard has large "flats" for quick & easy installation of seal.
- For use with Titan SC-6 tip only.
- Interchangeable with most competitive bases.



Product No. 661-012

661-012

7/8" -14

Titan, Wagner  
Graco, SprayTECH, ASM

## Safety Guard

450-100A

7/8" -14

Titan, Wagner, Graco  
SprayTECH, ASM



## In-Line Filter

### Features & Benefits

Designed for added filtration or when using a gun without a filter, this In-Line filter attaches easily between standard airless hoses.



Product No.

550-223

## Gun & Pump Filters

Reverse thread design prevents filter from unscrewing when handle is removed for cleaning & replacement. Packaged two per pack.

### Threaded

Filters	Product No.
*Coarse (Green)	500-200-03
Medium (White)	500-200-06
Fine (Yellow)	500-200-10
Extra Fine (Red)	500-200-15

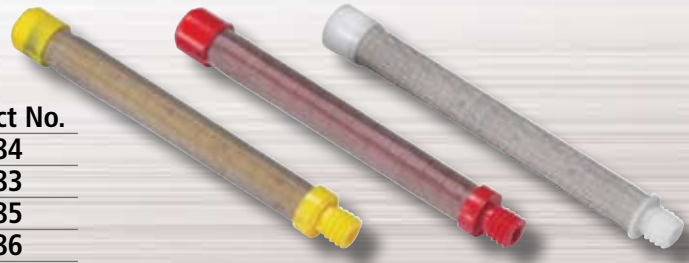
For use with LX-80<sup>®</sup> & LX-80 Platinum

\*Manifold Filter for 330 & 440.

### Unthreaded

Filters	Product No.
Coarse (Green)	550-484
Medium (White)	550-483
Fine (Yellow)	550-485
Extra Fine (Red)	550-486

For use with G-10, LX-70, S-3 and S-7.



## Pump Manifold Filters

For use on Speeflo PowrTwin 5500, 4900, 6900, 8900, 10000 & 12000

Mesh No.	Product No.
Mastic-0 mesh	930-004
Coarse-5 mesh	930-005
*Medium-50 mesh	930-006
Fine-100 mesh	930-007

\*Note: Standard with sprayer, includes ball.

For use on PowrTwin 3500, 4500, & Hydra

Mesh No.	Product No.
Coarse-5 mesh	920-001
*Medium-50 mesh	920-004
Fine-100 mesh	920-005



For use on Titan 640LX, 1140LX, & IMPACT 440-1640

Mesh	Product No.
Coarse-30 mesh	730-067-30
Medium-60 mesh	730-067
Fine-100 mesh	730-067-10

For use on Titan E15, E20, G40 & G55

Mesh	Product No.
Coarse-30 mesh	761-042
Medium-60 mesh	761-043
Fine-100 mesh	761-041

\*Note: Standard with sprayer, excludes ball. Ball Check sold separately 920-103



## Inlet Screens

Never operate your siphon or direct immersion airless pump without this in place. Also known as a "rock catcher", this product serves as a filtering screen & prevents any debris from entering the fluid section that can cause damage & expensive repairs.

### Titan Inlet Screens (Small)

Mesh	Product No.
30 mesh (Fine)	700-900
10 mesh (Coarse)	700-805

### Titan Inlet Screens (Large)

Mesh	Product No.
30 mesh (Fine)	710-191
10 mesh (Coarse)	710-046

### Speeflo Inlet Screens

Units	Product No.
4900, 6900, 8900, 12000GH	103-627
All GHD & DI Units	710-046
Hydra Pro IV	103-627



# TITAN™ REACH TOOLS

## When your arms just aren't long enough

Ladders and step stools have their limits. Wouldn't it be nice to reach high places, to reach over foliage, to reach all the way to a high ceiling without ever leaving the floor or the ground? TITAN offers a collection of reach tools that allow you to apply every coating imaginable to out-of-reach areas. From gun extensions to extension poles and pole guns, TITAN is your source for easier and more efficient coating application.

- Maximize the speed and efficiency of your operation
- Minimize danger – eliminate reaching from ladders
- Get the job done safely and quickly the first time

### Extended Reach



## Gun Extensions - Aluminum

- Lightweight and easy to handle.
- Can be used with most brands of airless spray guns.
- Pressure rated at 3600 PSI (25 MPa).

### 7/8" G-Thread - Standard

6" (15 cm)	Product No. 651-070
12" (30 cm)	Product No. 651-071
18" (45 cm)	Product No. 651-072
24" (60 cm)	Product No. 651-073

### 11/16" F-Thread

6" (15 cm)	Product No. 651-121
12" (30 cm)	Product No. 651-122
18" (45 cm)	Product No. 651-123
24" (60 cm)	Product No. 651-124



## Gun Extensions - Stainless Steel

- Heavy duty stainless steel.
- Can be used with most brands of airless spray guns.
- Pressure rated at 7700 PSI (53 MPa).

### 7/8" G-Thread - Standard

6" (15cm)	Product No. 611-280
12" (15cm)	Product No. 611-281
18" (15cm)	Product No. 611-282
24" (15cm)	Product No. 611-283



## Swivel Head



For use with Titan Gun Extensions & Extension Poles.

Permits a 260° rotation for greater spraying versatility & accessibility.

7/8" G-Thread - Standard

Product No. 651-139

## Extension Pole

These lightweight aluminum extensions are constructed with inner core ribs which reinforce the pole & greatly increase their rigidity. The inner core rib construction allows different length poles to be easily coupled together up to 12', while maintaining the proper rigidity to suit most job conditions.

- Reach high out-of-the-way places when spray or pressure rolling.
- Adapts to most airless guns.
- Includes 310-062 extension pole coupling.
- Pressure rated at 3600 PSI (25 MPa).

1.5' (.46 m) Pole

3' (.9 m) Pole

6' (1.8 m) Pole

Product No. 310-381-1

Product No. 310-383-1

Product No. 310-386-1

3' Extension Pole with Swivel Head, 7/8" Nut

6' Extension Pole with Swivel Head, 7/8" Nut

Product No. 310-390

Product No. 310-391



## Angle Adapter Assembly

Adapt any extension pole to any standard airless gun. Because of its right-angle design, the angle adapter allows the pole to extend from the gun at the same angle as the handle. The result is greater efficiency & comfort. Pressure rated at 3600 PSI (25 MPa).

Refer to the retaining nut chart on this page to select the proper nut size to adapt to your airless gun.

Product No. 310-072-1



## Extension Pole Coupling

Allows you to connect different length extruded poles together to create different lengths for any application. (Do not exceed 12')

Product No. 310-062



## 6' Outrigger

- Convert existing gun to 6' (2m) pole gun & back in seconds.
- Allows you to increase production & profits.
- Constructed of lightweight & rigid aluminum to reduce arm fatigue.
- Large, gun installation holder & knob.
- No additional hoses or fittings required.
- Adapts to all Titan airless spray guns & most manufacturers airless spray guns.

Product No. 757-920



## LX-75 Pole Guns

- All metal construction.
- Full length needle ensures positive shut-off at tip.
- Pressure rated at 3600 PSI (25 MPa).
- Reach those high, out-of-the-way places that normally require the use of a ladder or scaffolding.
- Gun swivel
- In-handle filter.
- Ergonomic design

4' Pole Gun	550-495
8' Pole Gun	550-500
Repair Kit No.	550-487





## LX-70 In-Line Gun

- All metal construction.
- “In-line” design is a natural extension to any pole.
- In-handle filter.
- Swivel reduces hose kinks and ensures effortless control.
- Pressure rate at 3600 psi (25 MPa).

Product No.	550-475
Repair Kit No.	550-487



## i-remote Universal Remote Control

- The first in the industry.
- Operates over 100 feet away from unit — through walls, trees and other obstacles.
- Increase or decrease the pressure — without climbing down off the ladder or scaffold.
- Ability to turn sprayer ON and OFF; eliminates sprayer “run away” when you run out of paint by stopping sprayer quickly— extending your piston and packing life.
- Universal remote control operates most manufactures electronic pressure controlled sprayers.
- Works on i, ix & Advantage series sprayers



i-remote & Receiver	Product No. 800-690
Remote only	Product No. 800-691
Receiver only	Product No. 800-692

# TITAN™ ROLLERS

## The speed of a sprayer and the control of a roller in one package

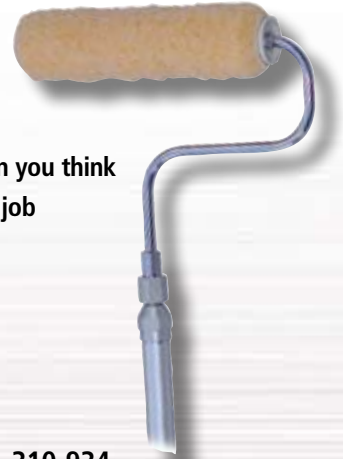
Every painting contractor has worked with a roller. It's an efficient and controlled way to apply paint. But it's also much slower than a sprayer – up to 40% of your labor time is spent charging the roller with paint. What if you could combine the two? TITAN has the answer.

### Inner Feed Rolling



## Inner Feed Pressure Roller

Instead of dipping the roller into the paint, why not feed the paint into the roller? You get the best of both application worlds, increasing the speed and efficiency of your work – saving time and making a lot more money. It's much easier than you think and TITAN has the equipment that lets you get the job done right.



- Up to 40% faster than standard roller application
- The roller never leaves the surface
- Easy to use and easy to clean up

9" (22.7 cm) Roller Head

Product No. 310-934

Inner Feed Repair Kit

Product No. 310-905

Inner Feed Pressure Kit Includes:

- 3' Pole.
- 90° Angle Adapter.
- Inner Feed Roller Head Assembly.
- 1/2" x 9" High Quality Inner Feed Roller Cover.
- Fits Onto Any Airless Gun.

9" Pressure Roller Kit

Product No. 310-150

## Telescoping Pressure Roller (Low Pressure)

- For high production paint applications where spraying is impractical.
- Patented auger head design evenly distributes coating for a professional finish every time.
- Comes with light weight aluminum adjustable pole with a working pressure of 1200 PSI (8.3 MPa).
- The exclusive telescoping roller design has a large collar that allows you to quickly adjust the length of the pole from 3'-6' (.9 m - 1.8 m).
- Also includes Titan's LX-70 In-Line Gun which features an all metal design & a filter in the handle for a superior finish & extended life.

Telescoping Pole Only

Product No. 310-938

LX-70 Telescoping Roller Kit with  
9" (23 cm) roller head 1/2"

(1.3 cm) nap

Product No. 310-950

(Caution! Do not use for spray applications.)

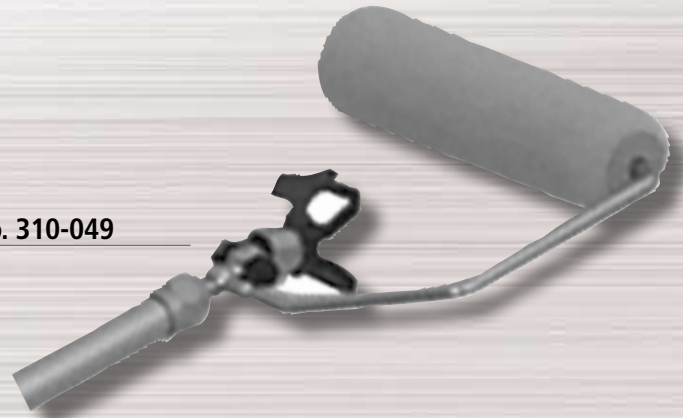
## Spray Roller

On rough, porous surfaces like stucco and concrete block many contractors apply the coating with a sprayer and then back-roll it into the surface. It can be messy (lots of overspray) and time consuming (you need two workers to do it). Now imagine what it would be like to spray AND roll at the same time. You save time and make money. That's what TITAN is all about.

- Ideal for very porous and rough surfaces
- Spray on the down-stroke and roll on the upstroke
- Saves both time and money

### 9" Spray Roller Head Assembly

Product No. 310-049



#### Spray Roller Kit Includes:

- 3' Pole.
- 90° Angle Adapter.
- Spray Roller Head Assembly.
- 1/2" x 9" High Quality Inner Feed Roller Cover.
- Fits Onto Any Airless Gun.

### Spray Roller Kit

Product No. 310-160

## 3-in-1 Spray/Roll Application Kit

The Spray/Roll Application Kit offers the proper airless spray painting tools for just about every possible painting condition. It's the first complete application kit created for professionals. By selecting the proper combination of tools, the professional painter can choose to either spray, spray & back-roll or simply roll.



#### Includes:

- LX-70 In-Line Gun.
- 3' (9 m) Extruded Pole.
- Swivel Head Assembly.
- 9" (23 cm) Spray Roller Head Assembly.
- 9" (23 cm) Pressure Roller Head Assembly.

### Application Kit

Product No. 310-110

## Roller Head Replacement Covers

#### Spray Roller Replacement Covers

Size	Nap Thickness	Product No.
9" (23 cm)	1/2" (1.2 cm)	311-050-9
9" (23 cm)	3/4" (1.9 cm)	311-075-9
9" (23 cm)	1-1/4" (3.1 cm)	311-125-9

#### Inner Feed Pressure Roller Replacement Covers

Size	Nap Thickness	Product No.
9" (23 cm)	3/8" (.81 cm)	312-037-9
9" (23 cm)	1/2" (1.2 cm)	312-050-9
9" (23 cm)	3/4" (1.9 cm)	312-075-9
9" (23 cm)	1-1/4" (3.1 cm)	312-125-9



# TITAN™ HOSES

## The right equipment for the right job

Just a commodity? Think again. A hose that fails or bursts can cost you time, paint and worse. There is a lot of pressure in that hose and you need reliability. You need TITAN – the industry leader in top-shelf paint hoses and flexible whips.

- Solid urethane construction designed to withstand time and pressure
- Easy to coil and uncoil
- Wide variety of diameters and lengths

### Extended Length



## High Quality Airless Hose

- Urethane cover is bonded to an inner nylon braid making it highly flexible & kink resistant.
- Conductive tube design for proper grounding.
- Durable abrasion-resistant urethane cover resists wear.



Part No.	I.D.	Length		Maximum Working Pressure		End Connection
		Feet	Meters	PSI	MPa	
0291007	3/16"	25	7.6	3300	22.8	1/4" NPSM (FBE) Swivel
0291008	3/16"	50	15.2	3300	22.8	1/4" NPSM (FBE) Swivel
316-513	1/4"	25	7.6	3300	22.8	1/4" NPSM (FBE) Swivel
316-505	1/4"	50	15.2	3300	22.8	1/4" NPSM (FBE) Swivel
250-114*	1/4"	50	15.2	4500	31	1/4" NPSM (FBE) Swivel
250-614*	1/4"	25	15.2	7400	51	1/4" NPSM (FBE) Swivel
0508342	3/8"	25	7.6	3300	22.8	1/4" NPSM (FBE) Swivel
690-375-50	3/8"	50	15.2	3300	22.8	3/8" NPSM (FBE) Swivel
250-538*	3/8"	50	15.2	5400	37	3/8" NPSM (FBE) Swivel
225-112*	1/2"	25	7.6	3000	20.7	1/2" NPSM (FBE) Swivel
250-112*	1/2"	50	15.2	3000	20.7	1/2" NPSM (FBE) Swivel
250-512*	1/2"	50	15.2	5100	35.2	1/2" NPSM (FBE) Swivel
250-638*	3/8"	50	15.2	7400	51	3/8" NPSM (FBE) Swivel

## Airless Fluid Hose Whips



Part No.	I.D.	Length		Maximum Working Pressure		End Connection
		Feet	Meters	PSI	MPa	
550-240	3/16"	3	0.9	3300	22.8	1/4" NPSM (F/M) Swivel
316-506	3/16"	5	1.5	3300	22.8	1/4" NPSM (F/M) Swivel
550-222	3/16"	9	2.7	3300	22.8	1/4" NPSM (F/M) Swivel
550-221	3/16"	15	4.5	3300	22.8	1/4" NPSM (F/M) Swivel
203-514*	1/4"	3	0.9	4500	31	1/4" NPSM (FBE) Swivel
550-227	1/4"	6	1.8	3300	22.8	1/4" NPSM (F/M) Swivel
316-533*	1/4"	6	1.8	3300	22.8	1/4" NPSM (FBE) Swivel

- \* Textile Braid - Spring guards at both ends
- NPT - National Pipe Tapered Thread
- NPSM - National Pipe Straight Mechanical Thread

- FBE - Female Both Ends
- MBE - Male Both Ends
- F/M- 1 Female / 1 Male Connection

## Hose Cover

Protect your airless hose from paint and abbrasion damage with a durable 4 mil poly hose cover. Comes in 1000 feet lengths with peferation every 50 feet to fit any length of hose.



Hose cover

Product No. 052-1424

## Reel EZ Hose Reels

- The Reel-EZ virtually eliminates hose hassles & increases your production. The Reel-EZ 16 mounts to the frame of all Titan & Speeflo cart style paint sprayers with a heavy duty universal mounting bracket. The Reel-EZ 10 mounts to the frame of all Titan skid style paint sprayers such as the 440i. Both the Reel-EZ 16 & Reel-EZ 10 mount to most major manufacturer's paint sprayers with similar designs.
- The Reel-EZ 16 can hold up to 100' (30.5 m) of 1/4" airless hose & the Reel-EZ 10 can hold up to 50' (15.2 m) of 1/4" airless hose. Both are rated at 3600 psi (25 MPa).



Reel-EZ 16" Cart-Mount  
Reel-EZ 10" Skid-Mount

Product No. 769-100  
Product No. 769-200

## High Pressure Fluid Gauge Kit

Includes: 5000 PSI (34.5 MPa) high pressure fluid gauge attached to a T-Fitting with one 1/4" (M)(.63cm) fitting & one 1/4" (F)(.63cm) fitting.

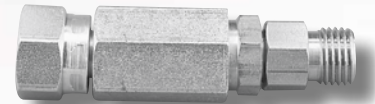
Fluid Gage Kit  
Fluid Gauge Only

Product No. 730-397  
Product No. 730-394



## High Pressure Swivels

- Pressure rated at 5000 PSI (34.5 MPa).
- Reduce the chance of hose kinks, extend hose life.
- Reduce effort when coiling & uncoiling hose.
- Less arm fatigue when attached to gun.
- Patented ball bearing design.



Gun-To-Hose/Hose-To-Pump  
1/4" (.63 cm) NPS (F) x 1/4" (.63 cm) NPS (M)  
Hose-To-Hose  
1/4" (.63 cm) NPS(M) x 1/4" (.63 cm) NPS(M)

Product No. 500-428

Product No. 500-424

# TITAN™ LIQUIDS

No matter what the sprayer – hydraulic, gear driven, gas-powered or electric – if you want a long service life you will need to care for it with the same attention you care for your own car or truck. That means changing the oil, lubricating the piston, cleaning the unit, the gun and the tip. TITAN has all the products you need to keep your accessories and equipment clean and functioning in top condition.

- Specially formulated for all sprayers, accessories and equipment
- Maintain clean and efficient operation for better profit
- Prolong the life of your investment

## Start up



## Clean up



## LS-10 Liquid Shield Plus

- Cleans & protects your spray system against rust & corrosion.
- Extends the life of your pump.
- Now with anti-freeze protection.

Size	Product No.
1 Qt. bottle	314-482
4 oz. bottle	314-483



## PumpShield

Cover your sprayer to prevent paint overspray from sticking to it. Keeps your sprayer looking new

Size	Product No.
12 Oz. bottle	0297055



## Tip Clean

- Hour-glass design allows easy cleaning of all airless tips and safe storage.
- Cleaning fluid removes contamination and paint residue, ensuring best spraying results.

Size	Product No.
7 ozs. / 200ml	314-207
Refill 1 quart / .95 Liters	314-208



## Piston Lube

- Specially formulated to prevent materials from adhering to the piston rod.
- Suitable for use with most airless piston pumps.

Size	Product No.
8 oz. bottle	314-480
4 oz. bottle	314-481
1 Qt. bottle	700-926



## Paint Mate

Water-based coating additive that significantly improves atomization with HVLP sprayers without compromising the integrity of the coating.

Size	Product No.
1 Qt. bottle	0508071
6 pack 1Qt. bottle	0508069



## Coolflo™

- Hydraulic Fluid for PowrTwin & Hydra sprayers.

Size	Product No.
1 Qt. bottle	430-362
1 Gallon	430-361
1 Qt. bottle (case of 12)	430-363



## Grease

- Specially designed for gear boxes.

14 oz. Can	Product No. 314-171
------------	---------------------



## Air Care

- Specially formulated to prevent corrosion in air motors.
- Suitable for use with most air driven sprayers.

Size	Product No.
1 Qt. bottle	311-101
1 Qt. bottle (case of 12)	311-103



# TITAN™ MANIFOLDS

Spraying is more than just hooking up a hose. Sometimes the situation calls for extending hose length or altering the angle of the hose connected to the sprayer. That's when you need TITAN manifolds and fittings.

- We have a fitting for every job
- Manufactured from quality stainless steel
- Engineered for durability and long life

## Commercial



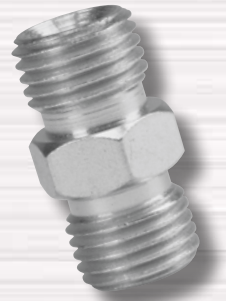
## 90° Street Elbows

Description	Product No.
3/8" NPT(F) X 3/8" NPT(M)	818-002
1/2" NPT(F) X 1/2" NPT(M)	818-003
3/4" NPT(F) X 1/2" NPT(M)	818-011
3/4" NPT(F) X 3/4" NPT(M)	818-010
1-1/4" NPT(F) X 1-1/4" NPT(F)	818-008



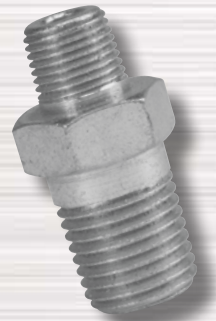
## Hose To Hose Couplings

Description	Product No.
1/4" NPS(M) X 1/4" NPS(M)	490-012
1/4" NPS(M) X 3/8" NPS(M)	490-016
3/8" NPS(M) X 3/8" NPS(M)	490-014
1/2" NPS(M) X 1/2" NPS(M)	816-003



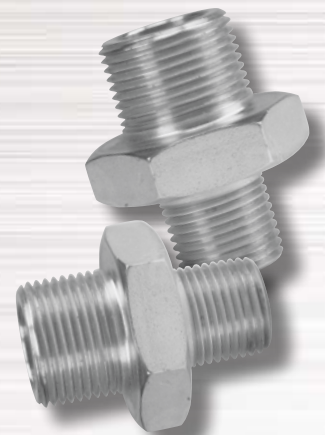
## Manifold To Manifold Couplings

Description	Product No.
1/8" NPT(M) X 1/4" NPT(M)	931-029
1/4" NPT(M) X 1/4" NPT(M)	490-002
1/4" NPT(M) X 3/8" NPT(M)	490-006
3/8" NPT(M) X 3/8" NPT(M)	814-004
3/8" NPT(M) X 1/2" NPT(M)	814-005
1/2" NPT(M) X 1/2" NPT(M)	814-006
1/2" NPT(M) X 3/4" NPT(M)	101-201
3/4" NPT(M) X 3/4" NPT(M)	814-007



## Manifold To Hose Couplings

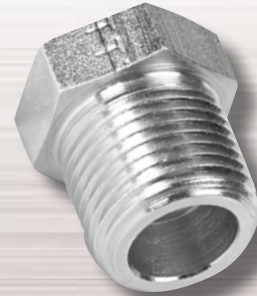
Description	Product No.
1/8" NPT(M) X 1/4" NPS(M)	490-001
1/8" NPT(M) X 3/8" NPS(M)	654-016
1/4" NPT(M) X 1/4" NPS(M)	227-006
1/4" NPT(M) X 3/8" NPS(M)	804-555
1/4" NPT(M) X 1/2" NPS(M)	814-003
3/8" NPT(M) X 1/4" NPS(M)	812-003
3/8" NPT(M) X 3/8" NPS(M)	808-555
3/8" NPT(M) X 1/2" NPS(M)	815-005
1/2" NPT(M) X 1/2" NPS(M)	228-002
1/2" NPT(M) X 3/4" NPS(M)	804-201
3/4" NPT(M) X 1/2" NPS(M)	814-555





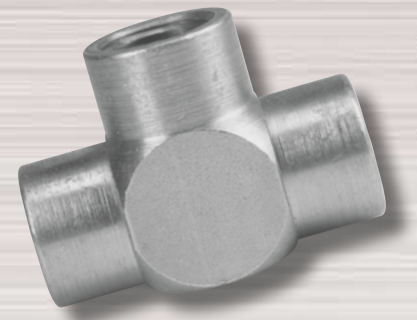
## Reducer Bushings

Description	Product No.
3/8" NPT(M) X 1/8" NPT(F)	929-060
3/8" NPT(M) X 1/4" NPT(F)	817-001
1/2" NPT(M) X 1/4" NPT(F)	929-061
1/2" NPT(M) X 3/8" NPT(F)	541-009
3/4" NPT(M) X 1/4" NPT(F)	929-062
1" NPT(M) X 3/4" NPT(F)	929-076
1-1/4" NPT(M) X 3/4" NPT(F)	929-078
1-1/4" NPT(M) X 1" NPT(F)	929-077



## Pipe Tees

Description	Product No.
1/4" NPT (F)	970-023
3/8" NPT (F)	817-002
1/2" NPT (F)	817-003
3/4" NPT (F)	817-004



## Swivel Union

Description	Product No.
1/4" NPS(F) X 1/4" NPT(M)	490-005
3/8" NPS(F) X 1/4" NPT(M)	490-042
1/4" NPS(F) X 3/8" NPT(M)	490-032
3/8" NPS(F) X 3/8" NPT(M)	490-043
1/2" NPS(F) X 1/2" NPT(M)	200-555
3/4" NPS(F) X 3/4" NPT(M)	138-037
3/4" NPS(F) X 1/2" NPT(M)	200-557
1" NPS(F) X 1" NPT(M)	200-556



## Pipe Plugs

Description	Product No.
1/8" NPT (M)	227-030
1/4" NPT (M)	227-027
3/8" NPT (M)	227-033
1/2" NPT (M)	210-023
3/4" NPT (M)	210-038



### Steamer



## TITAN™ DT Steamer

A powerful, commercial steamer with minimal service and maximum ROI.

The DT Steamer turns a quick investment in to a fast return. With the Dual Tank technology, you are able to be working in under 5 minutes. With the large and small steam plates included, you can cover large areas or small areas between trim and doors.



Max. Capacity tank:	1.5 gallons
Power:	1500 watts
Hose / Cord:	16 ft electrical cord / 16 ft hose
Steam Time:	3 hours
P/N:	0282009

### Paint Removal



## TITAN™ PaintEater®

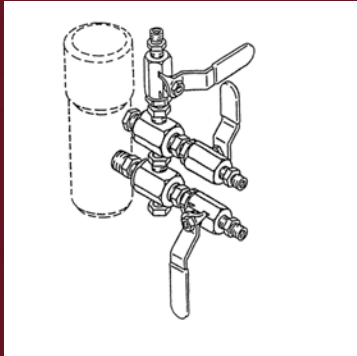
Aggressive on paint, gentle on siding and trim.

The PaintEater efficiently removes peeling paint from siding and trim as well as concrete block, steel and other masonry. It delivers professional results with amazing speed and ease.

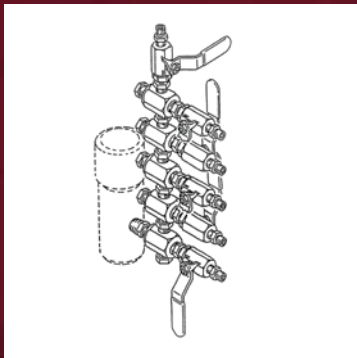
Part No. 0513055



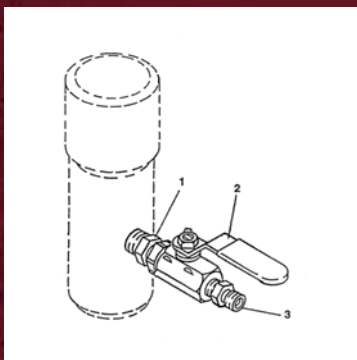
# TITAN™ MODULAR MANIFOLDS



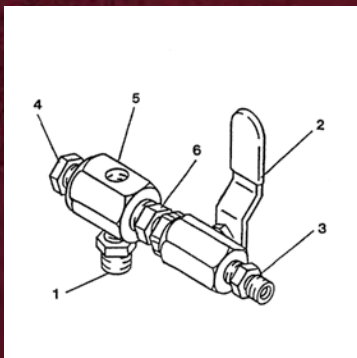
3-GUN  
MANIFOLD ASSEMBLY



6-GUN  
MANIFOLD ASSEMBLY



1-GUN ADD-ON KIT



ADD-A-GUN KIT

## Gun Manifold Assemblies

### 1/4" Multiple Gun Manifold Assemblies\*

Part Number	Part Number	975-212 2-Gun 1/4"	975-213 3-Gun 1/4"	975-214 4-Gun 1/4"
975-111	1-Gun Add on 1/4"	1	1	1
975-200	Add-A-Gun Kit 1/4"	1	1	3

\*Hose Connection is 1/4" NPSM(M)

### 3/8" Multiple Gun Manifold Assemblies\*

Part Number	Part Number	975-312 2-Gun 3/8"	975-313 3-Gun 3/8"	975-314 4-Gun 3/8"
975-311	1-Gun Add on 3/8"	1	1	1
975-300	Add-A-Gun Kit 3/8"	1	1	3

\*Hose Connection is 3/8" NPSM(M)

## Gun Add On Kits

### Gun Manifold Assemblies

Item No.	Part No.	Desc.	975-111 1-Gun Add-On 1/4"	975-311 1-Gun Add-On 3/8"	975-200 Add-A-Gun 1/4"	975-300 Add-A-Gun 3/8"
1	814-002	Nipple, Hex	1		1	
1a	814-004	Nipple, Hex		1		1
2	940-553	Valve, Ball	1		1	
2a	941-555	Valve, Ball		1		1
3	227-006	Nipple, Hex	1		1	
3a	808-555	Nipple, Hex		1		1
4	227-033	Plug, Pipe			1	1
5	970-100	Block, Manifold		1	1	
6	814-004	Nipple, Hex		1	1	

# TITAN™

Advanced Performance. Total Reliability.

## Airless Accessories

*Titan is your complete accessory source for Gas and Electric Sprayers*



# TITAN™

Advanced Performance. Total Reliability.

*Sold exclusively through professional distributors*

**Titan Tool, Inc.**  
1770 Fernbrook Lane  
Minneapolis, MN 55447  
1-800-526-5362  
Fax 1-800-528-4826

**International Sales  
Titan Tool, Inc.**  
1770 Fernbrook Lane  
Minneapolis, MN 55447  
1-201-337-1240  
Fax 1-201-405-7449

**Titan Tool of Canada**  
200 Trowers Road, Unit 7B  
Woodbridge, Ontario L4L-5Z8  
1-800-565-8665  
Fax 1-905-856-8496

Visit us on the web at: [www.titantoool.com](http://www.titantoool.com)  
Call Tech Services at 1-800-526-5362 for complete warranty information.

All information contained in this brochure is based on the latest information available at time of printing. Titan reserves the right to make changes at any time, without notice.

Due to product branding conversions, units may be changing over time. Please call your local distributor, sales rep, or Titan customer service line for specific details